

SLZ 2000

Cycle control:

Heidenhain MANUALplus 620 or Siemens 840D SolutionLine with user interface Operate with manual functions

Specifications and performance

Specifications

SLZ 2000	Unit	Value
Swing over bed	mm	2.000
Swing over cross slideführung	mm	1.400
Bed width	mm	1.350
Spindle head in accordance with DIN 55027	size	20
Spindle bore \varnothing	mm	120
Spindle \varnothing in the front bearing	mm	300
Tailstock quill \varnothing	mm	320
Tailstock stroke	mm	250
Tailstock Morse taper	-	center installed rigidly
Center distance	m	3,0-20,0

Performance

SLZ 2000	Unit	Value
Main drive	KW	70
Speed range	1/min	1-710

Dimensions

Length	mm	5.900 + Center Distance
Width	mm	4.530
Height	mm	3.170

Please note:



Latest material technology thanks to Hydropol bed with hardened steel guides. Bed width 1,350 mm

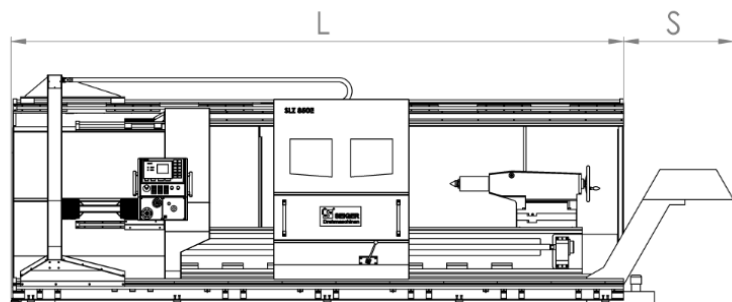
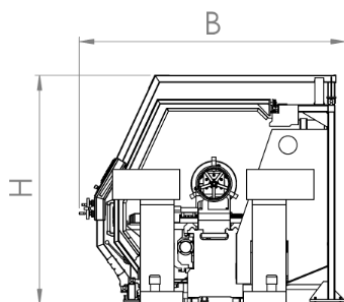


Cost-efficient shaft manufacturing by moving past rests and tailstock



Slideway protection by means of walkable telescopic covers in both axes

Plus control cabinet of approx. 500 x 2000 mm



Technical changes and errors excepted